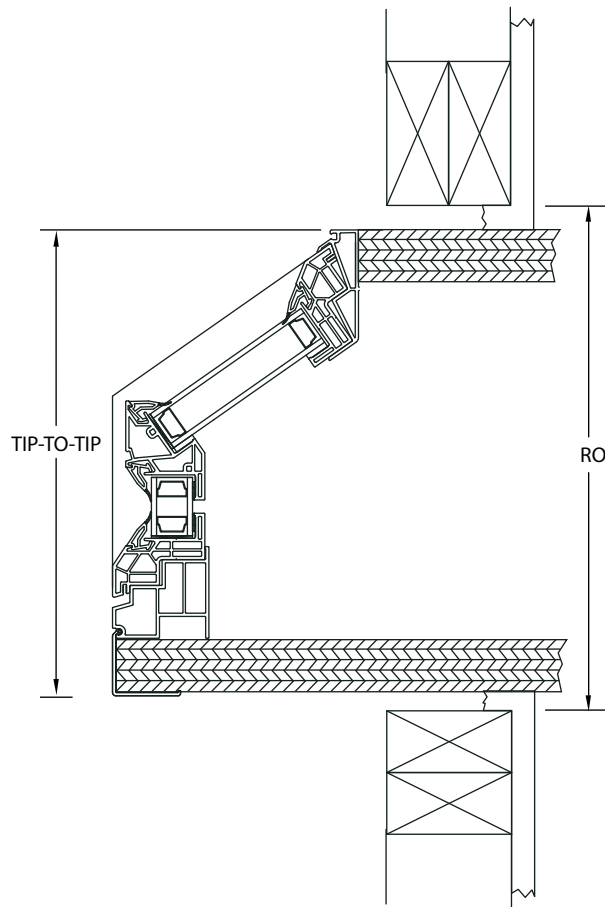


Series 2050 & 2050i Impact Garden Window - Retrofit Tip-to-Tip Dimensioning



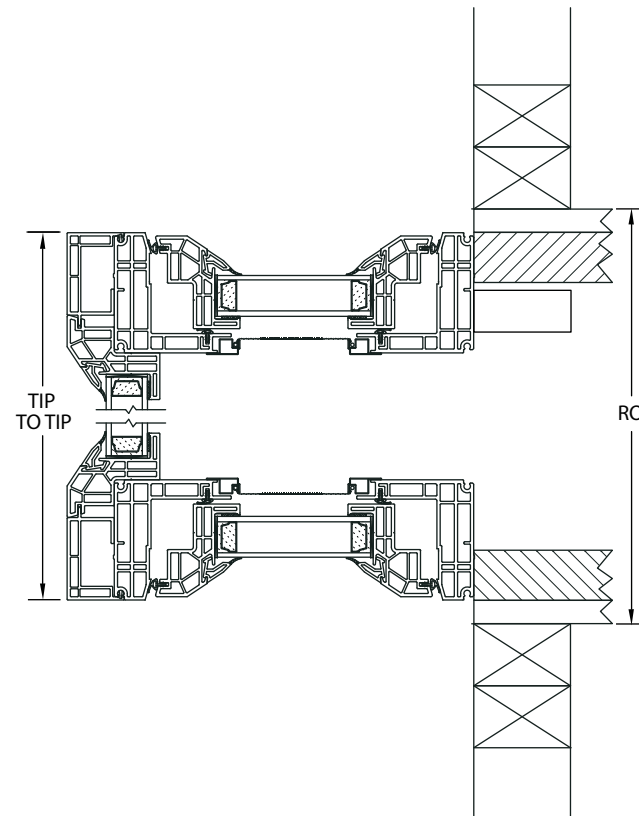
Series 2050 & 2050i Impact Garden Window - Retrofit (RO = 36")

Formula: RO minus head and sill thickness using 0.5" material.

$$36" - 0.5" - 0.5" = 35"$$

35" with additional 0.5" deduction to ensure fit = 34.5"

Tip-to-Tip = 34.5" high



Series 2050 & 2050i Impact Garden Window - Retrofit (RO = 36")

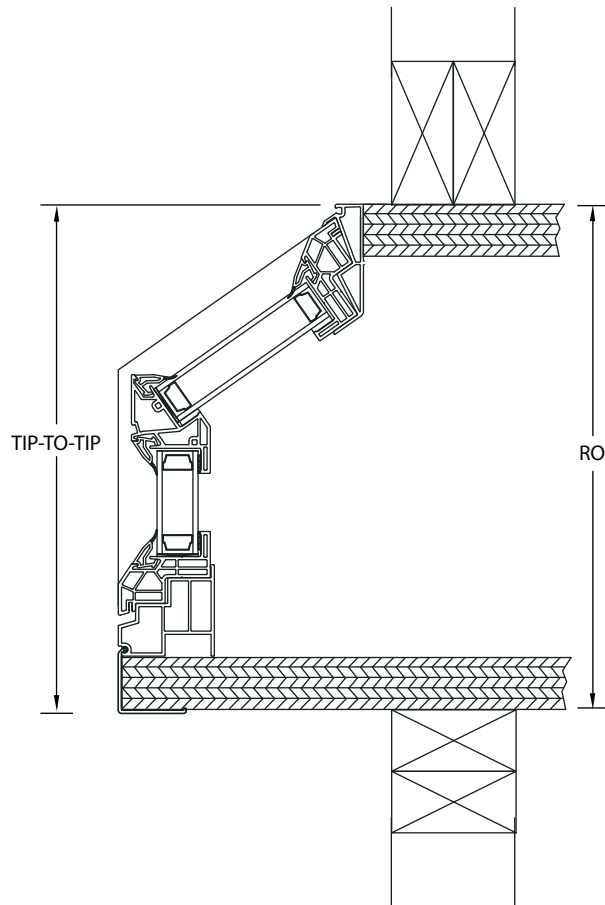
Formula: RO minus total wall surface thickness x 2 using 0.5" material.

$$36" - 0.5" - 0.5" = 35"$$

35" with additional 0.5" deduction to ensure fit = 34.5"

Tip-to-Tip = 34.5" wide

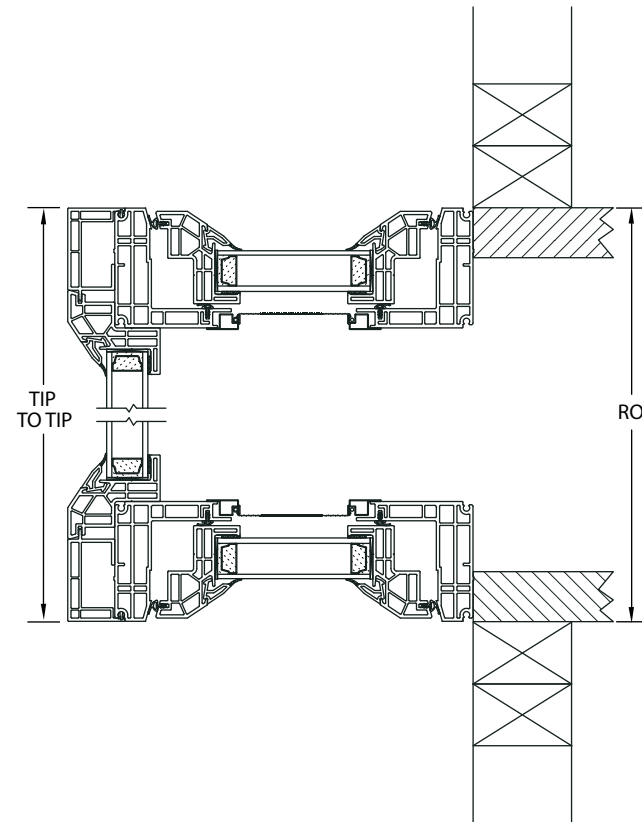
Series 2050 & 2050i Impact Garden Window - New Construction Tip-to-Tip Dimensioning



**Series 2050 & 2050i Impact Garden Window - New Construction
(RO = 36")**

Formula: Slightly downsize unit to fit (recommend 0.5" deduction)

Tip-to-Tip = 35.5" high

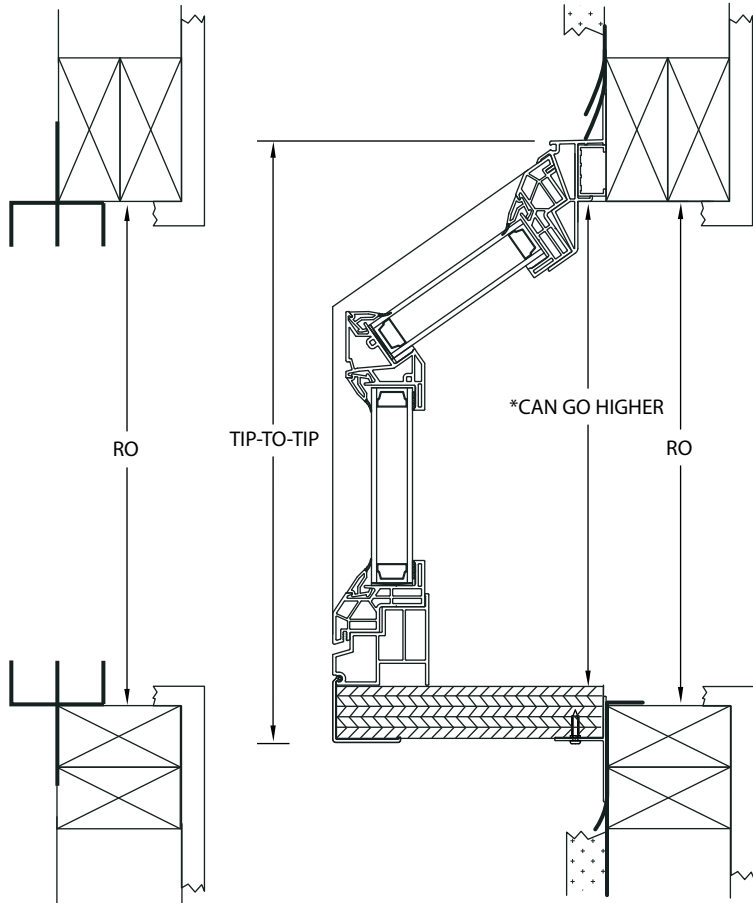


**Series 2050 & 2050i Impact Garden Window - New Construction
(RO = 36")**

Formula: Slightly downsize unit to fit (recommend 0.5" deduction)

Tip-to-Tip = 35.5" wide

Series 2051 Stucco (Flanged) Garden Window Tip-to-Tip Dimensioning



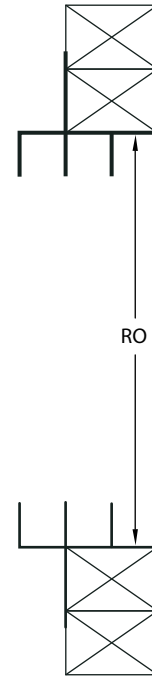
Existing Window (RO = 36")
Frame needs to be removed

Series 2051 Stucco (Flanged) Garden Window (RO = 36")

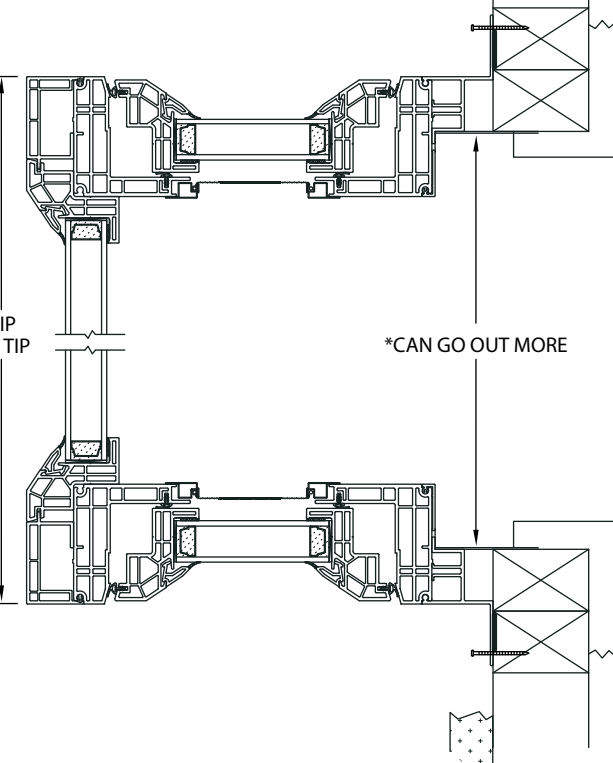
Formula:
RO + .75" at bottom (using .05" thick sill material + 1.5" at top (for a total of + 2.25")

Tip-to-Tip = 38.658" high

*Note: There is still room to go wider



Existing Window (RO = 36")
Frame needs to be removed



Series 2051 Stucco (Flanged) Garden Window (RO = 36")

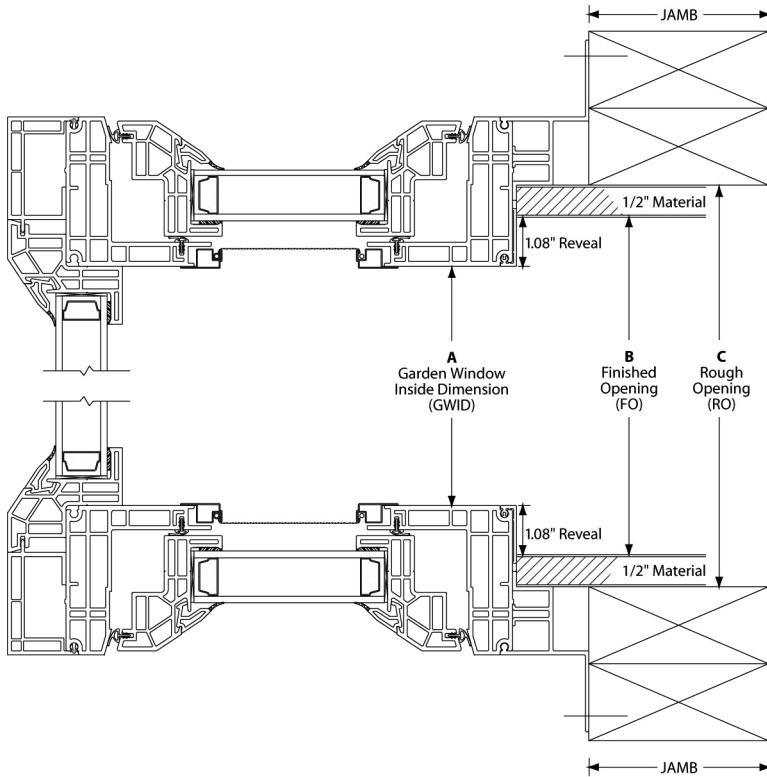
Formula: RO + 1.329" + 1.329"
(1.329" each side for a total of 2.658")

Tip-to-Tip = 38.658" wide

*Note: There is still room to go wider

Series 2051 Stucco (Flanged) Garden Window

Tip-to-Tip Dimensioning Formulas



Top View (Width)

A. Garden Window Inside Dimension (GWID)

Formula for Tip-to-Tip: $GWID + 2.937''$ per side ($GWID + 5.875''$)

B. Finished Opening (FO)

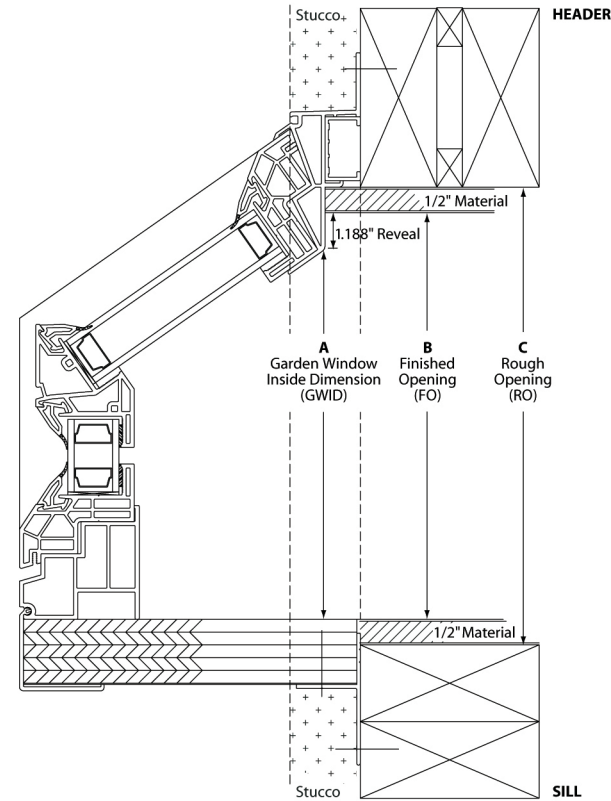
Formula for Tip-to-Tip:

$FO + 1.355''$ per side + $0.5''$ per side ($FO + 3.71''$)

Note: Using $0.5''$ wall surface material

C. Rough Opening (RO)

Formula for Tip-to-Tip: $RO + 1.329''$ per side ($RO + 2.658''$)



Side View (Height)

A. Garden Window Inside Dimension (GWID)

Formula for Tip-to-Tip:

$GWID + 2.688''$ at top + $1.25''$ at bottom ($GWID + 3.938''$)

B. Finished Opening (FO)

Formula for Tip-to-Tip: $FO + 2.0''$ at top + $1.25''$ at bottom ($FO + 3.25''$)

Note: Using $0.5''$ wall surface material

C. Rough Opening (RO)

Formula for Tip-to-Tip: $RO + 1.5''$ at top + $0.75''$ at bottom ($RO + 2.25''$)

Note: Using $0.5''$ wall surface material